

StoreJet[®] 25 M3

SATA HDD Enclosure

Description

This device is designed to expedite exchanging huge amounts of data between Transcend StoreJet[®] and any desktop or notebook computer.

System Requirements

- Desktop computer or notebook with a working USB port.
- One of following Operating Systems:

Windows[®] XP

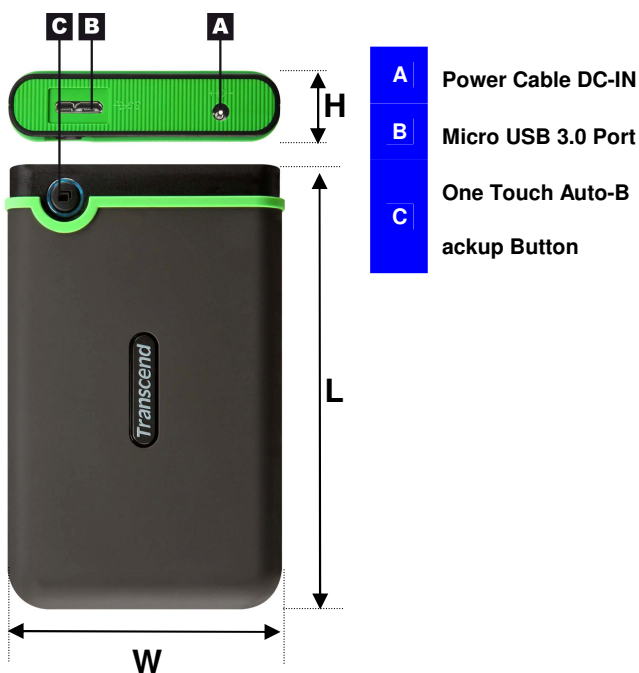
Windows[®] Vista

Windows[®] 7

Linux[®] Kernel 2.6.31 or later

Mac[®] OS X 10.4 or later (only USB 2.0 currently supported)

Placement



Features

- SuperSpeed USB 3.0 compliant and backwards compatible with USB 2.0
- Durable anti-shock rubber outer case
- Advanced internal hard drive suspension system
- Connection bandwidth up to 5Gbits per second
- Extra-large storage capacity
- Sleek ultra portable design
- Easy Plug and Play operation – no drivers required
- USB powered – no external adapter necessary
- Power saving sleep mode
- Includes **StoreJet Elite** backup and security software
- Multicolor LED indicator (power, data transfer, & USB 2.0/3.0 connection type)
- Recommended operating temperature: 5°C ~ 55°C
- One Touch Auto-Backup function

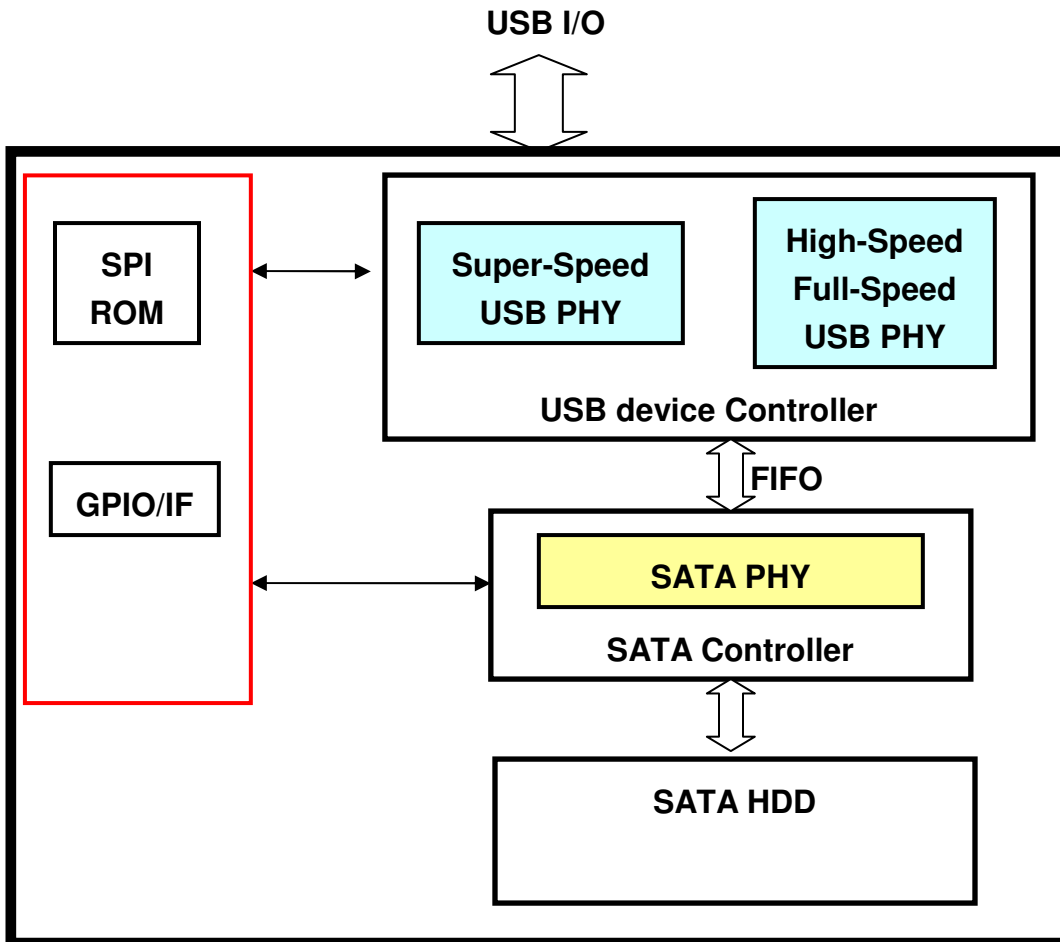
Dimensions

Side	Millimeters	Inches
L	126.25 ± 1.00	4.97 ± 0.04
W	82.40 ± 1.00	3.24 ± 0.04
H	20.40 ± 1.00	0.80 ± 0.04

Ordering Information

Transcend P/N	Capacity
TS500GSJ25M3	500GB
TS640GSJ25M3	640GB
TS750GSJ25M3	750GB

Block Diagram



StoreJet[®] 25 M3

SATA HDD Enclosure

Pinouts

Pin No.	Pin Name
1	VBUS
2	D-
3	D+
4	ID
5	GND
6	MicB_SSTX-
7	MicB_SSTX+
8	GND_DRAIN
9	MicB+SSRX-
10	MicB+SSRX+

Pin Identification

Symbol	Function
VBUS	Power
D-	USB 2.0 differential pair
D+	
ID	OTG identification
GND	Ground for power return
MicB_SSTX-	SuperSpeed transmitter differential pair
MicB_SSTX+	
GND_DRAIN	Ground for SuperSpeed signal return
MicB+SSRX-	SuperSpeed receiver differential pair
MicB+SSRX+	

Specifications

Environment		
Storage Media	2.5 inch SATA Hard Disk	
Temperature	Operation	5 °C to 55 °C
	Storage	-20 °C to 60 °C
Power Supply	USB DC 5 Volt	
Transfer Speed	USB 3.0	Up to 5Gb/s
	USB 2.0	Up to 480Mb/s
Power Consumption	5W (Average)	
Size (L x W x H)	126.25mm x 82.4mm x 20.4mm	
Weight	With Hard Drive	206g
Certificates	CE, FCC, BSMI	

Above technical information is based on industry standard data and tested to be reliable. However, Transcend makes no warranty, either expressed or implied, as to its accuracy and assumes no liability in connection with the use of this product. Transcend reserves the right to make changes in specifications at any time without prior notice.